



DS90 DS70 DS60

ARTICULATED SWIVEL DUMPER



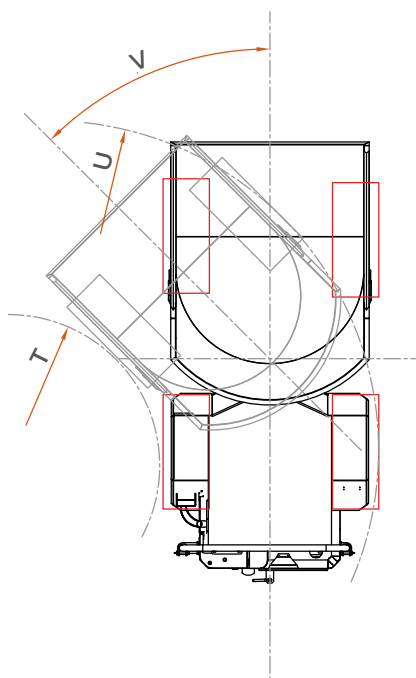
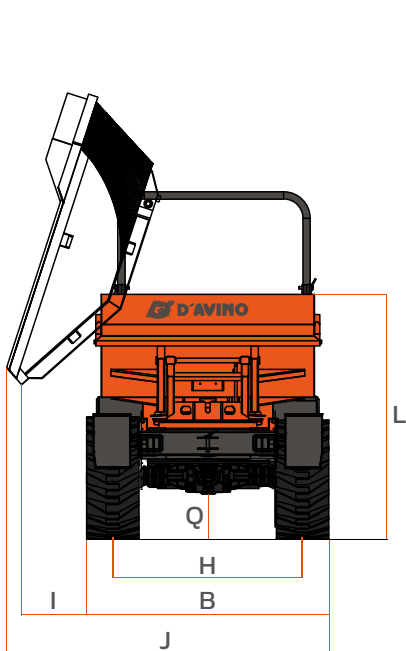
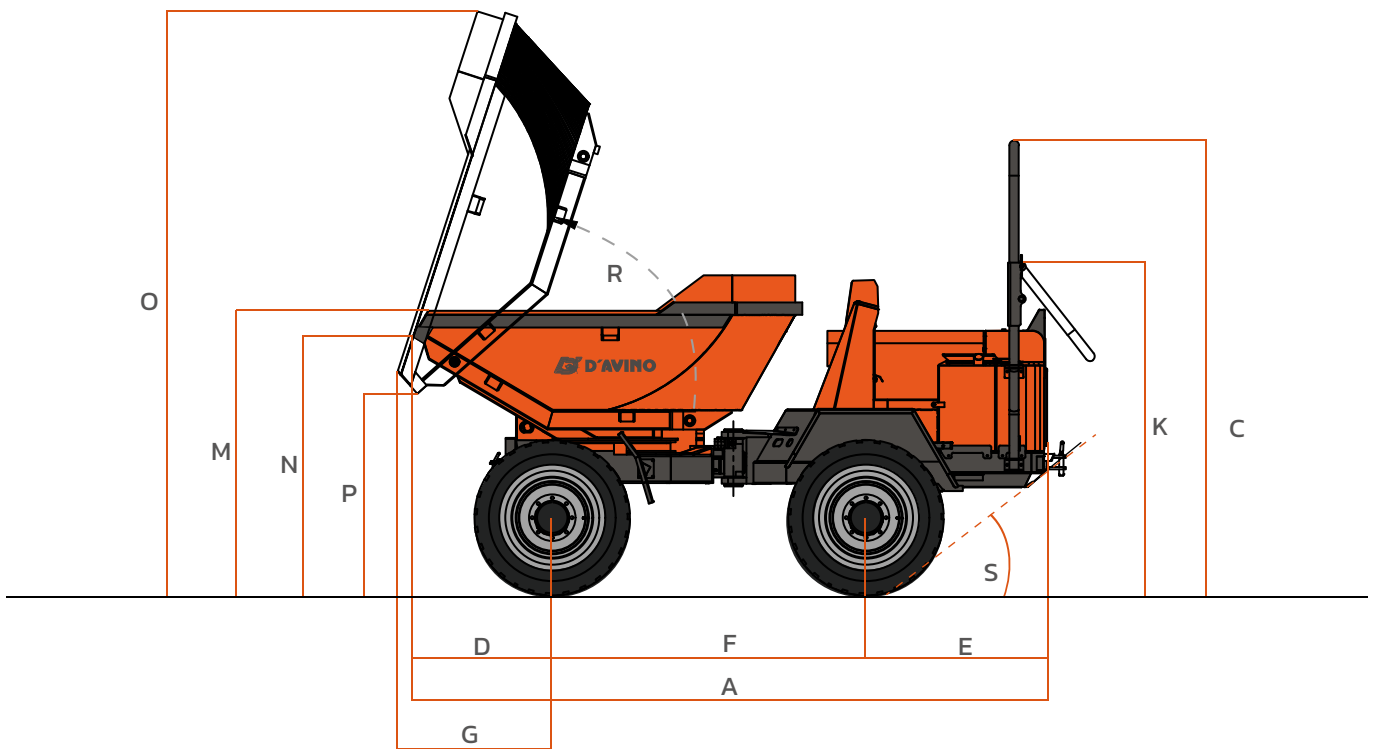
THE MOST COMPACT



Technical data

GENERAL DATA		DS90	DS70	DS60
Max load capacity	kg	9.000	7.000	6.000
Dump body water level capacity	l	1.550	2.100	1.500
Dump body struck capacity	l	3.800	2.800	2.200
Dump body heaped capacity	l	4.700	3.600	2.860
Unloading system		Swivel	Swivel	Swivel
Drivers'seat		Fixed	Fixed	Fixed
Frame		Articulated	Articulated	Articulated
Empty weight	kg	5.400	3.600	3.500
Transmission		Hydrostatic	Hydrostatic	Hydrostatic
Cabin		Optional	Optional	Optional
*ENGINE				
Brand		Perkins	Yanmar	Yanmar
Model		404J-E22TA	4TNV98CT-NY12D	4TNV98CT-NY12D
Power	kW	55	53,7	53,7
DRIVING				
Max speed	km/h	26	28	28
Gradeability	%	35	40	40
Turning radius	mm		4925	4600
Traction		Articulated	Articulated	Articulated
Tyres		18-22,5 PR 16 R1	12.5/80-18 A6	12.5/80-18 16 PR
Axle oscillation lock		N/A	N/A	N/A
HYDRAULIC SYSTEM				
Hydraulic system		Duble gear pump	Duble gear pump	Duble gear pump
Working pressure	bar	220	220	220
ELECTRICAL SYSTEM				
Starter motor	V/kW	12/2	12/3	12/3
Battery	V/Ah	12/50	12/50	12/50
TANK CAPACITY				
Fuel	l	100	60	60
Hydraulic	l	100	38	38
BRAKES				
Service		Hydraulic acting on both axles		
Parking		Hydraulic acting on the rear axles		
APPROVALS				
Road approval (Italian)		In progress	Yes	Yes

*Stage IIIA engine available



	DS90	DS70	DS60
A	4470	3990	
B	1910	1860	
C	2810	2735	
D	1212	855	
E	1250	1125	
F	2008	2010	
G	645	986	
H	1630	1580	
I	540	584	
J	2530	2723	
K	1930	1984	
L	2030	2048	
M	1815	1680	
N	1650	1520	
O	3600	3580	
P	535	1170	
Q	325	350	
R	70°	78°	
S	30°	30°	
T	3100	2610	
U	4925	4600	
V	30°	30°	



AMOG srl | I-80031 Brusciano (NA) | Tel. +39 081 658 8361 | sales@davinogroup.biz

davinodumper.com